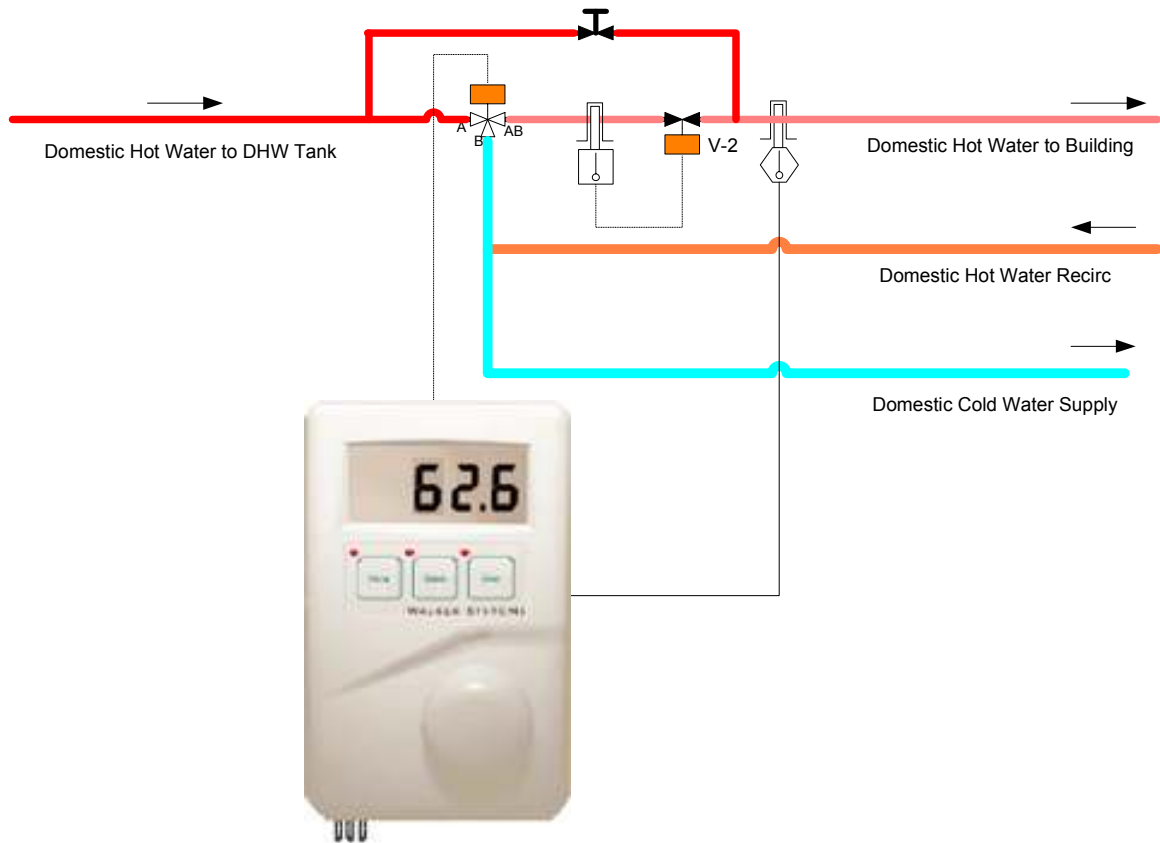


Domestic Hot Water Mixing Valve Controller



Description

Electronic controller provides affordable, but very stable and energy efficient control of Domestic Hot Water Mixing Valve. Controller can be integrated into an Empire Controls DDC system, either at time of installation or at a later date.

Guide Specification

Products

2.x Domestic Hot Water Mixing Valve Controller/Safety Shutoff Kit

Domestic Hot Water Mixing Valve Controller Kit, Model BNR-DHW complete with DHW immersion sensor, LCD, setpoint adjustment knob, modulating three way control valve assembly, electromagnetic manual reset high limit aquastat with long element, two position spring return safety shutoff valve, transformer and control fuses as manufactured by Empire Controls Limited of Woodbridge, Ph 905-264-7282, Fax 905-850-8564, empire@empirecontrols.com. Controllers incapable network communications are not acceptable.

Execution - Sequence of Operations

3.4.x Domestic Hot Water Mixing Valve and Safety Shutoff Valve

The Empire controller modulates the three way blending valve as required to maintain the Domestic Hot Water Supply Temperature at the desired setpoint. (Design setpoint is 60 °C (140 °F)).

Should the DHW supply temperature exceed a safe limit (63 °C or 145 °F), the electromechanical DHW Supply Aquastat shall open its contacts, allowing the Safety Shutoff Valve to quickly spring return to the closed position until the aquastat is manually reset.

Mount controller and high limit aquastat on wall at eye level, and provide 24 volt power from emergency power bus. Connect mixing valve to controller, and high limit aquastat to safety shutoff valve. Check operation of valves and tune controller.

Empire Controls Limited

80 Regina Road, Unit 19
Woodbridge, Ontario
L4L 8M5

Ph. 905-264-7282 Fax 905-850-8564
empire@empirecontrols.com